

Agroplus V/F/S SERIES



DEUTZ-FAHR
Agroplus V/F/S
320 - 330 - 410 - 420 - 430



THE LEADING EUROPEAN SPECIALIST



One series. Three versions. And countless option combinations. From slimline to compact, the Agropius V/S/F specialist tractors offer high-tech solutions, three mounting areas, efficient turbo diesel engines, synchroshift and powershift transmission, up to five additional remote valves and a compre-

hensive range of features. DEUTZ-FAHR has been one of Europe's leading suppliers of specialist tractors for decades.

With the Stop&Go manoeuvring system and a whole host of features not even found on many big tractors, the Agropius V/S/F is ideal for fruit grow-

ers and vineyards, municipal authorities and farms looking for a compact and at the same time powerful tractor.

ST TRACTORS - AGROPLUS V / S / F.



	320	410	420	Min. external width
Agropius V	60 kW/82 hp	63 kW/85 hp	70 kW/95 hp	1,110 mm
Agropius S	60 kW/82 hp	63 kW/85 hp	70 kW/95 hp	1,220 mm
Agropius F	60 kW/82 hp	63 kW/85 hp	70 kW/95 hp	1,510 mm

FIRST-RATE HARVESTING TOOLS: THE AGROPLUS V AND S.



ADVANTAGES

- ▶ **Wide range of models: 12 basic versions, with and without cab, and with a wide range of features**
- ▶ **Spacious comfort four post cab; excellent panoramic view and high degree of comfort**
- ▶ **Stop & Go function and Powershuttle optional**
- ▶ **Minimum external width: 111 cm**
- ▶ **Liquid-cooled, electronically controlled engines with a wide constant power range for low fuel consumption**
- ▶ **Robust and reliable ECO-Speed transmission with 30/15 speeds and creeper speed group**
- ▶ **Comfortable 3-stage Powershift ECO-Speed transmission with 45/45 speeds and creeper speed group**
- ▶ **Powerful hydraulic system with a capacity of up to 60 l/min, plus up to five additional remote valves**



The Agroplus V and S are special tractors that are manoeuvrable, compact and versatile with a range of technical features without comparison. With electronically controlled engines, reduced engine speeds at 40 km/h maximum speed and ECO-Speed transmissions with Powershuttle, you also save fuel and time and therefore money.

Of rugged and compact design, they are the ideal tractors for vineyards and orchards. With a minimum external width of just 111 cm and a maximum steering

angle of 60°, they are ideal for all classical specialist crop cultivation with row widths of 1.20 to 2.20 m. No less impressive are the data and performance offered by the hydraulic system: With a lifting force of 3 tons at the back and 1.5 tons at the front, up to 6 additional remote valves and optional EHR, it gets a professional job done for every application. The Agroplus V and S are also ideal, therefore, for municipal authorities and for landscaping and sports ground construction.

An independent jury of expert journalists in Europe also chose these specialist tractors as the Specialist Tractor of the Year for two years in succession. And even with the comfort cab it still only has a height – depending on the tyres – of just 2.20 m, something which others are unable to offer even with their low roof versions.

HIGH-TECH IN A COMPACT PACKAGE: THE AGROPLUS F.

For those who want a compact tractor but are not prepared to do without high-quality technical features, the Agropius F is the ideal solution. Slightly wider and higher in design, it comes with a host of features and individual equipment options and is not only highly manoeuvrable but also the ideal tractor for a multitude of agricultural and municipal applications. With electronically controlled engines and reduced engine speeds at 40 km/h maximum speed, plus ECO-Speed transmissions with Powershuttle and the comfortable Stop & Go manoeuvring system, it is the ideal solution for all users looking for a fully-fledged tractor with special features. With a maximum external width of just 151 cm, a maximum steering angle of 60° and a height – including the comfort cab – of just 2.25 m, it can be driven into any barn.

No less impressive are the data and performance offered by the hydraulic system. With a lifting force of 3 tons at the back and 1.5 tons at the front, up to 5 additional remote valves and optional EHR (Electronic Hitch Regulation), it provides the best possible prerequisites for productive work. It is hardly surprising, then, that the versatility of the Agropius F is also appreciated by numerous municipal authorities, landscaping firms and builders of sports grounds.



ADVANTAGES

- ▶ Wide range of models: 6 basic versions, with and without cab, and rich in features
- ▶ Spacious comfort four post cab; excellent panoramic view and high degree of comfort
- ▶ Stop & Go function and Powershuttle optional
- ▶ Minimum external width: 151 cm
- ▶ Liquid-cooled, electronically controlled engines with a wide constant power range for low fuel consumption
- ▶ Robust and reliable ECO-Speed transmission with 30/15 speeds and creeper speed group
- ▶ Comfortable 3-stage Powershift ECO-Speed transmission with 45/45 speeds and creeper speed group
- ▶ Powerful hydraulic system with a capacity of up to 60 l/min, plus up to 5 additional remote valves



EFFICIENT AND POWERFUL IN EVERY SITUATION.



Efficient as standard

The technical features of the liquid-cooled Agropius V/S/F engines are unique in this class. The innovative electronic engine control (EMC) ensures that the engine speed, which the driver selects simply and conveniently at the touch of a button, is always maintained. Furthermore, the engine always runs in the optimum power and torque range with minimum fuel consumption.

The advantages: constant power over a wide speed range, high degree of efficiency, low fuel consumption and therefore low operating costs. Operation is also very convenient.

High degree of efficiency

Each cylinder has its own single injection pump directly driven by the camshaft. High injection pressure means that the fuel is effectively atomized by

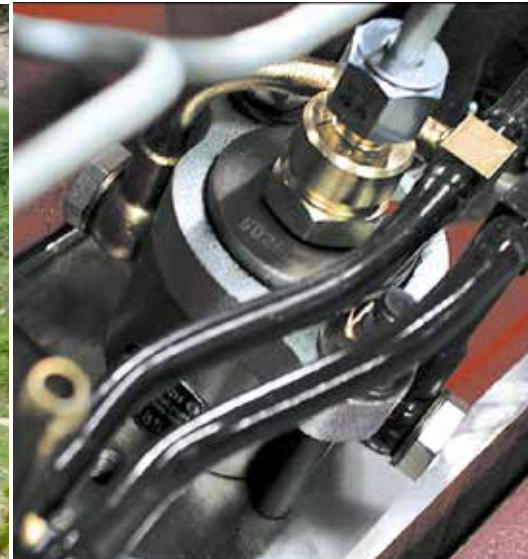
the 5-hole injection nozzles for optimum efficiency. This means a very high degree of operational efficiency with low consumption.

Constant speed

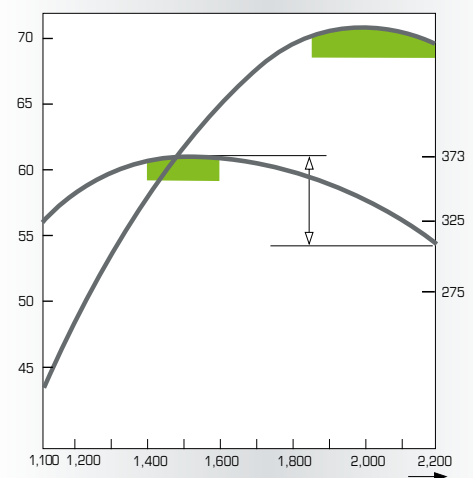
Together with the electronic manual throttle a selected speed can be programmed and precisely maintained at the touch of a button. The electronic engine control ensures that the engine

ADVANTAGES

- ▶ Modern 3- and 4-cylinder turbo diesel engines
- ▶ Slim-line engine design for excellent manoeuvrability
- ▶ Electronic engine control for a constant engine speed under varying load conditions
- ▶ Speed programming at the press of a button
- ▶ Excellent efficiency due to optimized injection system
- ▶ Low fuel consumption thanks to a maximum forward speed at reduced engine speed
- ▶ Wide constant torque range over 200 rpm
- ▶ High starting torque permits reliable start-off on inclines and with loads
- ▶ Wide constant power range of about 300 rpm



Optimum fuel utilization thanks to the 5-hole injection nozzles.



runs at the required speed, even when load conditions change during operation. Your benefit – constant PTO and travel speed – even under varying load conditions.

Full performance

The powerful 3- and 4-cylinder turbo diesel engines of the Agroplus V/S/F are characterized by constant engine power and torque delivery across a

wide speed range. With high torque rises of up to 31%, high starting torques and low noise emissions even under the most difficult conditions, they always go about their work reliably and effectively.



Efficient with high torque: the modern engines in the Agroplus V/S/F special tractors.

THE RIGHT SPEED FOR ALL JOBS.



With four areas for attaching implements, the work of care and tending in the vineyard is no problem.



The Powershift stages are shifted conveniently with the press of a button in the shifting lever.



Three groups are available for up to 45 different working speeds.



40 km/h
with lowered
engine speed

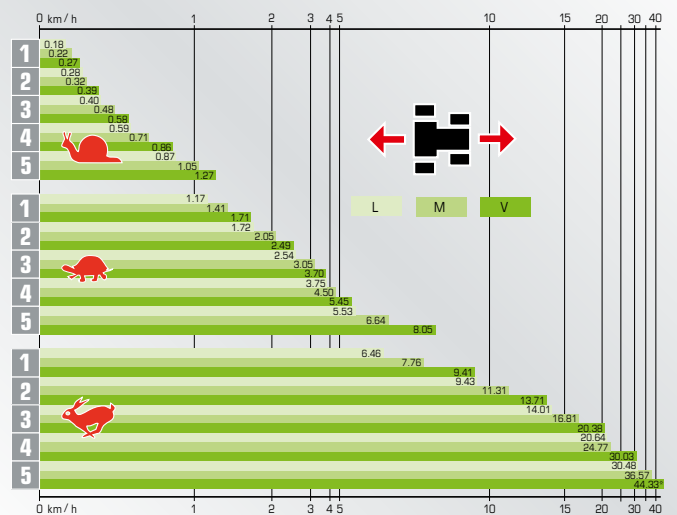
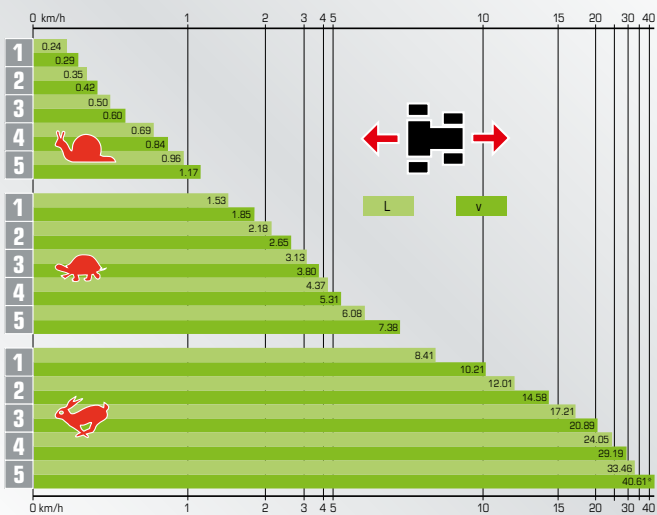
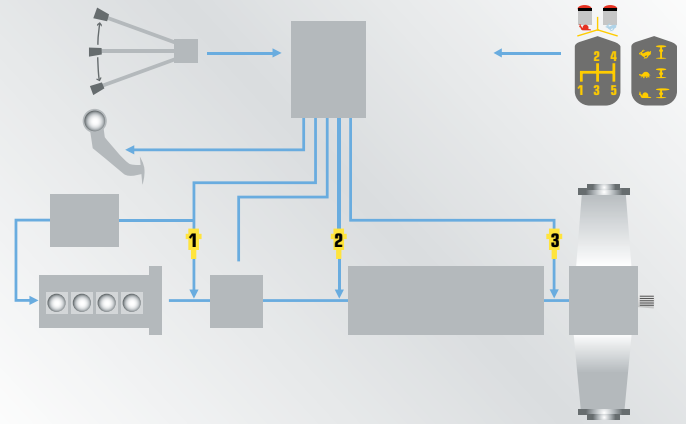
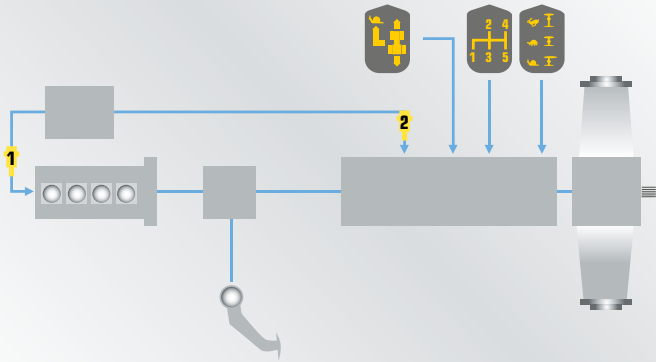
The Eco-Speed transmission helps the Agroplus V/S/F special tractors save valuable fuel, even at 40 km/h.



The activated PTO speed is shown on the display.

ADVANTAGES

- ▶ 5-speed ECO-Speed synchronesh reverse transmission with 30/15 speeds and creeper speed group
- ▶ 3-stage ECO-Speed Powershift transmission with 45/45 speeds and creeper speed group
- ▶ Both transmissions also available with Powershuttle and Stop & Go function opt.
- ▶ Fuel-efficient operation thanks to ECO-Speed transmission: 40 km/h at reduced engine speed
- ▶ Comfort clutch as standard with Powershuttle and Stop & Go
- ▶ Practical PTO equipment with 540/540E and 1000 rpm
- ▶ Front PTO and front powerlift on request
- ▶ Oil-immersed disk brakes on all four wheels
- ▶ Large front axle swing angle
- ▶ Electrohydraulic four-wheel and differential lock shifting
- ▶ 100% locking on front and rear axle differential



Working economically

The Agroplus V/S/F tractors come with a choice of four transmissions. For the basic versions with synchronized F/R-shifting the choice is between the easy-to-shift 30/15 ECO-Speed transmission or the comfortable three speed Powershift ECO-Speed transmission with 45/45 speeds. For the GS versions with synchronized F/R-shifting, the choice is between the 30/15 ECO-Speed transmission or the Powershift ECO-Speed transmission with 45/45 speeds, in both cases with Stop&Go function for shifting quickly between forward and reverse. To enable you to change direction quickly, a Powershuttle

lever is provided below the steering wheel which actuates two oil-immersed multi-plate clutches without you having to press the clutch. This system is also provided as standard with a comfort clutch – all speeds can be shifted at the press of a button on the shifting lever without having to press the pedal. All alternatives come with creeper and mini-creeper speeds as standard.

45 finely graduated speeds

The right speed for every application. From 170 meters per hour in extreme creeper speed for specialist use to economic 40 km/h for travel on roads. With a total of 45 forward and reverse

speeds, the shifting comfort of the Powershift transmission could hardly be bettered. The 3 powershift stages are activated simply, precisely and quickly at the press of a button. The gain in productivity is enormous. The speeds are graduated extremely precisely for optimum convenience – the Powershift transmission has 10 speeds just in the main working range from 4 to 12 km/h.

Shifting comfortably

In the GS Shuttle versions, up to 15 speeds can be shifted thanks to the comfort clutch fitted as standard without having to press the clutch pedal. It could hardly be more convenient.

MANOEUVRING MADE EASY.



Simple and convenient changing of direction.

The Powershuttle, which is available upon request, enables the driver to change direction while driving using a lever below the steering wheel. For front loader work, in particular, this makes work significantly easier.

Easy manoeuvring

Who has not experienced it? Front

loader work, attaching and detaching implements in narrow inner yards, narrow headlands. This takes its toll on the clutch foot. That's now a thing of the past thanks to the optional Stop & Go function. The electronically controlled clutch packages of the Powershuttle are activated via the foot brake, enabling the driver to manoeuvre easily using only the throttle and brake pedals.

Full PTO functionality

Of course, the PTO equipment on the Agroplus V/S/F doesn't fall short either: 540 and 1000 rpm and the economy PTO 540E are standard. Start-up is modulated, protecting both the attached implement and the drivetrain of the tractor. The Agroplus V/S/F can of course be fitted upon request with a front PTO delivering 1000 rpm.

ADVANTAGES

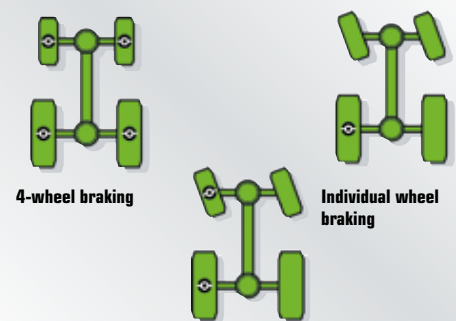
- ▶ Excellent manoeuvrability thanks to the front wheel steering angle of 60°
- ▶ Oil-immersed disc brakes on all four wheels
- ▶ 3 brake modes: four-wheel braking, individual wheel braking and braking both wheels on one side
- ▶ High ground clearance of up to 280 mm (subject to tyres)
- ▶ Stop & Go function upon request: easy manoeuvring without pressing the clutch
- ▶ Electrohydraulic four-wheel and differential lock shifting
- ▶ 100% locking on front and rear axle differential



Powershuttle upon request: simple and convenient changing of direction.



Stop & Go is activated with the press of a button.



4-wheel braking

Individual wheel braking

Braking both wheels on one side

Stable manoeuvrability

The Agroplus V/S/F boasts an outstanding steering angle of up to 60°. As well as its compact design and the innovative pendulum suspension of the front axle, that's also due to the extremely slim engine design with individual injection pumps and the special shape of the side parts. The Agroplus V/S/F has a protected central front drive with a very high

ground clearance. The four-wheel drive and differential locks can be conveniently switched on and off at the touch of a button, ensuring that traction is always transmitted optimally.

Safe stopping

Safety is a big feature of the Agroplus V/S/F. Its four-wheel brake system with low wear oil-immersed disk brakes on

all wheels guarantees maximum braking power at all times – when working on steep inclines as well as when traveling at fast speeds. Low maintenance and high efficiency, with maximum safety reserves.

ENOUGH POWER FOR FOUR ATTACHED IMPLEMENTS.



Maximum hydraulic capacity

With a delivery capacity of up to 60 liters a minute just for the working hydraulics and the additional remote valves, the hydraulic system of the Agropius V/S/F is fit for every purpose. The maximum of 5 double-action additional remote valves allow all attached implements to be oper-

ated easily. Flow control and free flow oil return are of course standard. That ensures the optimal use of center-mounted or front-mounted implements and boosts productivity.

Electric joystick

The fourth and fifth double-acting remote

valves are conveniently operated using the newly developed electromagnetic joystick integrated in the multifunction console. This allows several implements such as stump clearing tools and leaf cutters to be controlled perfectly. It's hard to see how the effective control of connected hydraulic implements could be any easier.

ADVANTAGES

- ▶ Powerful hydraulic system with a pump output of up to 60 l, with EHR (Electronic Hitch Regulation) upon request
- ▶ Up to 5 remote valves available upon request for even more applications
- ▶ Effortless operation with multifunction console
- ▶ Three fully-fledged implement mounting areas: front, center and rear mounting
- ▶ Lifting force of 3 tons at the back and 1.5 tons at the front



The mechanical lifting control is a standard feature which provides maximum operating comfort.



Electrohydraulic lateral stabilization and flow rate controllers for accessories.



The Electronic Hitch Regulation can be adjusted quickly and easily with rotary regulators.



Joystick operation of the additional remote valves upon request.

Lifting and lowering as required

The Electronic Hitch Regulation (EHR) is available upon request for all Agropius V/S/F tractors. The special advantage of the EHR: the implement is controlled very precisely in all positions with maximum operating convenience. All controls are positioned within easy reach on a

console to the right-hand side of the driver. Pushbuttons on the rear right-hand mudguard are provided for simple implement hitching and un-hitching.

Intuitive operation

The electrohydraulic controls for the 4-wheel drive and differential locks,

which ensure a 100% locking value in both axles, are located directly next to the "Infocenter".

UNIMPEDED VIEW ON ALL SIDES.



Space and comfort

The spacious Agroplus V/S/F comfort cab has lots of space for long working days. The innovative cab design, without a B-strut, favours easy access through the wide opening, fully glazed doors. The narrow cab struts and large glazed areas ensure an optimum

view of all mounting areas – the basis for pleasant, stress-free work and perfect results. Maximum freedom of movement and a practical ergonomic design are also features of this modern cab. The comfort cab is also very well insulated against engine and operating noises. The silent block mountings

effectively absorb interfering vibration. This technology is also used in the platform version.

Everything at hand and in sight

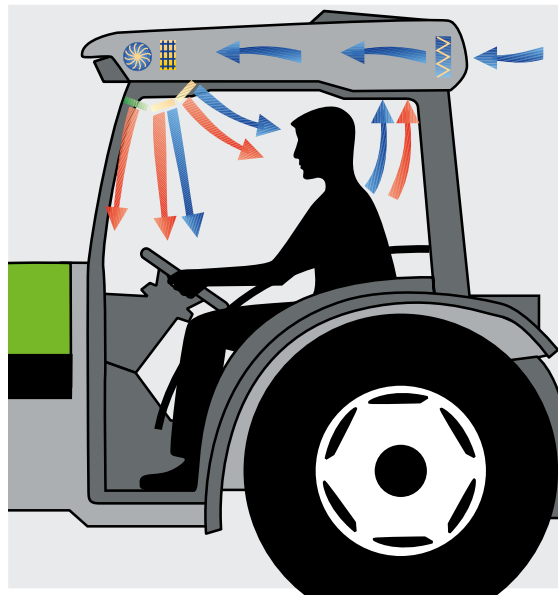
In the Agroplus V/S/F the driver has everything at his fingertips. All the important operating controls are easily

ADVANTAGES

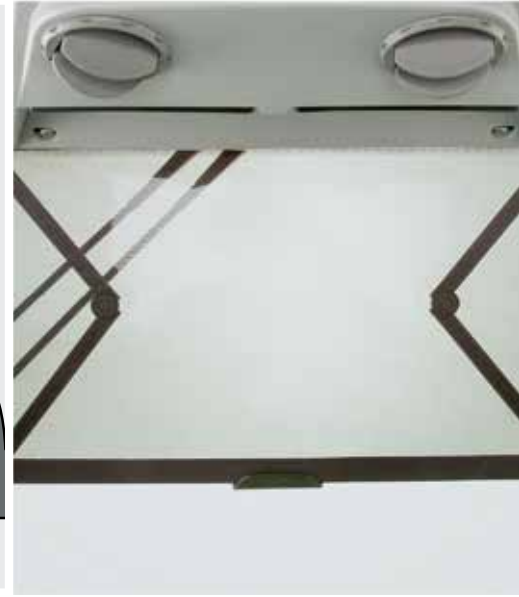
- Spacious 4 post comfort cab with excellent sound-proofing and easy access due to the fully-glazed, wide opening doors
- Excellent view of all implement mounting areas: front, center and rear mounting
- Ergonomic arrangement of operating controls
- Steering wheel with height adjustment
- Rear windshield opens wide
- Active carbon filter protects driver's health
- Air conditioning system upon request
- Minimum height only 2.20 m or 2.25 m (depending on tyres)



Mechanical or air-sprung comfort seat.



Heating, ventilation and air conditioning (upon request) are located in the cab roof.



The sunscreen can be locked in every position.



Clear layout: the dashboard in the Agropius V/S/E.

The effective heating and ventilation system quickly provides a pleasant working climate.



And the drinks holder has not been forgotten either.

accessible. Operation of the standard feature Electronic Hitch Regulation (EHR), as well as up to five additional remote valves, is also ergonomically optimized. The clearly structured "Info-Display" quickly and precisely informs the driver of all important operating conditions.

Perfect climate whatever the weather

The effective, multi-stage blower with fresh air filter and the efficient heater ensure a pleasant working climate whatever the weather. An additional pollutant filter can be easily inserted before using sprays. The cab can also be equipped with an efficient air

conditioning system upon request. And of course the rear windshield can be fully opened.

MAY WE OFFER YOU ANYTHING ELSE?



1



2



3



7



8



9

Although the standard equipment of the Agropius V/S/F is already very comprehensive, it can be complemented even further according to the specific purpose. DEUTZ-FAHR supplies a perfectly coordinated and adapted range of additional and special equipment for all ranges and assemblies. Contact your DEUTZ-FAHR dealer. They will be pleased to be of assistance.

1 Platform version: The Agropius V/S/F also cuts a good figure without a cab, as

the fold-down protection frame also ensures maximum safety for the driver.

2 Active carbon filter: The activated charcoal filter removes contaminants from the fresh air supply to protect the driver when applying fertilizer and pesticides.

3 Front hydraulics and front PTO: The Agropius V/S/F unfolds its true versatile potential when equipped with mounted front implements. With a lifting capacity of

up to 1,500 kg and a PTO speed of 1,000 rpm, the integrated front powerlift opens up a multitude of additional applications.

4 Front mounting plate: Fast and simple mounting of almost all implements in the coordinated DEUTZ-FAHR approved range.

5 Ballast carrier and front weights: Optimum distribution with adapted ballast carriers and front weights.

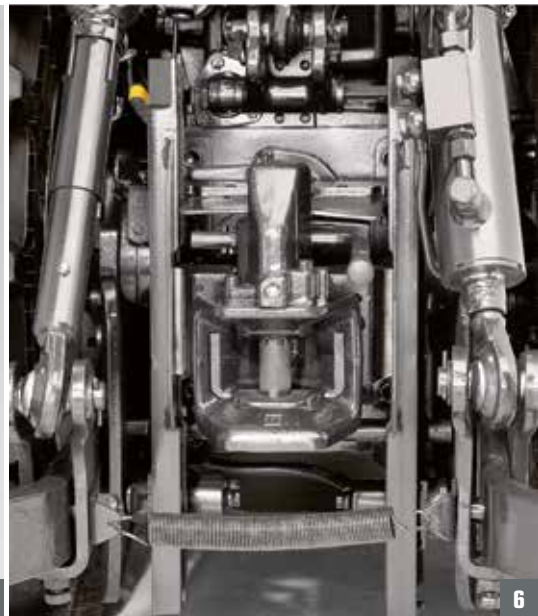
6 Automatic tow hitch as standard: Less



4



5



6



9



10



11



12

work for the driver with simple and convenient coupling.

7 Air conditioning: Almost already a must. The system is, of course, free from CFCs and infinitely adjustable. Ensures a pleasant working atmosphere, not only on hot days.

8 Comfort seat: the modern, orthopedically shaped air-sprung seat gives a tangible boost to driver comfort.

9 Additional remote valves: Possible

combinations include three mechanical remote valves as standard, two further additional remote valves available upon request.

10 Lower link stabilization: Optimum control of attached implements on inclines or for stacking work upon request.

11 Stop & Go manoeuvring aid: Manoeuvring with millimeter precision without pressing the clutch. Simple and convenient.

12 Powershuttle: Simple changing of direction under load. Ideal for front loading work.

Tyre combination (without illustration): DEUTZ-FAHR has a large range of practical tire combination options. Just ask your dealer.

NO NEED FOR LENGTHY SERVICING.



Fast daily servicing

Daily servicing is quick and easy, requiring little effort, simply fold back the rear opening hood. All important components and assemblies needing servicing can be reached straightforwardly without the need for tools.

Long maintenance intervals

The regular engine maintenance intervals are long – in fact uniquely long. The engine oil only requires replacement every 300 hours. The transmission and hydraulic oil only has to be changed every 1,200 hours of operation.

1 The engine is easily accessible from all sides.

2 Cable leadthrough (on both sides)

3 All fuses are in a well-protected location in the cab on the right-hand side of the roof area.



4 The activated carbon filter for the A/C and ventilation system is accommodated on the rear of the cab and can be inserted easily without the use of tools when sprays are to be applied.

5 The 54 l fuel tank can be easily filled. The fuel reserves can be extended to 94 l with a supplementary tank.

6 The engine oil level dipstick is easily accessible on the right-hand side of the engine without removing the side panels.

7 Cooler cleaning screen

8 The engine air filter is easily accessible in the tank housing behind the right-hand side panel and is simple to replace without the need for tools.

TECHNICAL DATA.

Type	320			410			420			
	V	S	F	V	S	F	V	S	F	
Engine										
Engine liquid-cooled (TIER III)	Type	1000.3WTI; turbo, CAC			1000.4WTI; turbo, CAC			1000.4WTI; turbo, CAC		
Max. power (2000/25/EC)	kW/hp	60/82			63/85			70/95		
Rated speed	rpm	2,200								
Cylinders/cubic capacity	No./cm ³	3/3,000			4/4,000					
Bore/stroke	mm	105/115,5								
Maximum torque	Nm	310			320			373		
Constant torque range	rpm	1,500 - 1,700								
Constant power range	rpm	1,900 - 2,100								
Tank volume without/with front PTO	l	54/31								
extra tank underneath platform upon request	l	25	40	25	40	25	40	25	40	
Platform (standard)										
Platform equipment	with silent block suspension									
Protective frame	fold-down version									
Cab (upon request)										
Comfort cab version	with silent block suspension									
Air conditioning	upon request									
Chassis, brakes, steering										
Front axle drive	central drive									
Differential locks	front / rear	electrohydraulic claw clutch 100%								
Service brake	front	wet disk brakes in front axle								
Service brake	rear	wet disk brakes in rear axle								
Parking brake	independent of service brake									
Steering system										
Steering system	hydrostatic									
Max. steering angle	°	50	60	50	60	50	60	50	60	
Turning radius	m	4.50	4.10	4.70	4.25	4.70	4.25	4.70	4.25	
Pump flow rate (separate pump)	l/min	26								
Working hydraulics										
System	open									
Oil reservoir	shared with transmission									
Pump flow rate/pressure	l/min (bar)	54/190								
Tandem pump (upon request)	l/min (bar)	60/190								
Available oil quantity	l	12								
Powerlift										
Mech. upper link control	standard									
Electrohydraulic upper link control	upon request									
Mech. lower link stabilization	upon request									
Hydraulic lower link stabilization	upon request									
Category of 3-point hitch, rear	Cat. II, splay width I and II									
Lifting capacity, rear	kg	3,000								
Front Powerlift, cat. II	kg	1,500 (upon request)								
Front PTO	rpm	1,000 (upon request)								

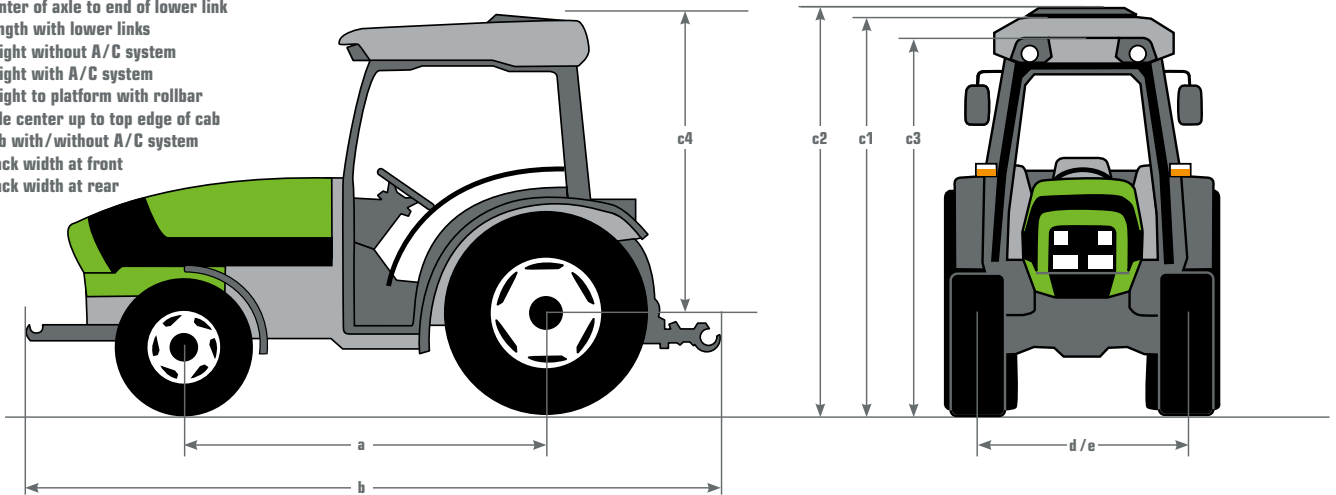
Type	320			410			420								
	V	S	F	V	S	F	V	S	F						
Hydraulic remote valves															
Quantity	3 standard/max. 5 upon request														
Function	double-acting														
Locking	floating position or lifting														
Actuation (standard 1-3)	individual lever														
Actuation (upon request 4+5)	individual lever														
Remote clutches	2 per remote valve														
Transmission 40 km/h															
Synchromplit ECO-Speed transmission	Synchronized shift transmission with 5 speeds in 3 groups combined with mini-creeper speed transmission														
No. of speeds	F/R	30F/15R with mechanical F/R shifting													
Powershift ECO-Speed transmission (upon request)	Synchronized shift transmission with 5 speeds in 3 groups and 3 Powershift stages combined with mini-creeper speed transmission														
No. of speeds	F/R	45F/45R with Powershift function													
Clutch	dry clutch														
Transmission 40 km/h (GS version)															
Synchromplit ECO-Speed transmission with Stop & Go- and Shuttle-function	Synchronized shift transmission with 5 speeds in 3 groups combined with mini-creeper speed transmission														
No. of speeds	F/R	30F/15R with Shuttle F/R-shifting and Stop & Go function													
Powershift ECO-Speed transmission (optional) with Stop & Go- and Shuttle-function	Synchronized shift transmission with 5 speeds in 3 groups and 3 Powershift stages combined with mini-creeper speed transmission														
No. of speeds	F/R	45F/45R with Powershift/Powershuttle and Stop & Go function													
Clutch	Oil-immersed F-R multi-plate clutches with integrated Stop & Go function														
Shift transmission Synchromplit ECO-Speed transmission 30 F/15 R – transmission for V models															
Speeds in km/h at engine speed of 2200 rpm with 380/70 R 20 tyres															
	1 L	2 L	3 L	4 L	5 L	1 M	2 M	3 M	4 M	5 M	1 V	2 V	3 V	4 V	5 V
Low	0.20	0.29	0.43	0.63	0.94	1.25	1.83	2.72	4.00	5.91	6.90	10.1	15.0	22.0	32.4
High	0.24	0.35	0.52	0.77	1.14	1.52	2.22	3.30	4.85	7.17	8.37	12.2	18.1	26.7	39.6
Shift transmission Agrosplit ECO-Speed transmission 45 F/45 R – transmission for V models															
Speeds in km/h at engine speed of 2200 rpm with 380/70 R 20 tyres															
	1 L	2 L	3 L	4 L	5 L	1 M	2 M	3 M	4 M	5 M	1 V	2 V	3 V	4 V	5 V
Low	0.17	0.24	0.36	0.53	0.78	1.05	1.53	2.27	3.34	4.93	5.76	8.39	12.5	18.4	27.1
Mean	0.20	0.29	0.43	0.63	0.94	1.26	1.83	2.72	4.01	5.92	6.91	10.1	15.0	22.0	32.5
High	0.24	0.35	0.52	0.77	1.14	1.52	2.22	3.30	4.85	7.17	8.37	12.2	18.1	26.7	39.6
Shift transmission Synchromplit ECO-Speed transmission 30 F/15 R – transmission for S and F models															
Speeds in km/h at engine speed of 2200 rpm with 380/70 R 24 tyres															
	1 L	2 L	3 L	4 L	5 L	1 M	2 M	3 M	4 M	5 M	1 V	2 V	3 V	4 V	5 V
Low	0.22	0.32	0.47	0.69	1.02	1.37	2.00	2.98	4.38	6.51	7.56	11.0	16.4	24.1	35.6
High	0.26	0.38	0.57	0.84	1.24	1.67	2.43	3.61	5.32	7.86	9.17	13.4	19.9	29.3	43.4*
Shift transmission Agrosplit ECO-Speed transmission 45 F/45 R – transmission for S and F models															
Speeds in km/h at engine speed of 2200 rpm with 380/70 R 24 tyres															
	1 L	2 L	3 L	4 L	5 L	1 M	2 M	3 M	4 M	5 M	1 V	2 V	3 V	4 V	5 V
Low	0.18	0.26	0.39	0.58	0.85	1.15	1.67	2.48	3.66	5.40	6.31	9.19	13.7	20.1	29.6
Mean	0.22	0.32	0.47	0.69	1.03	1.38	2.00	2.98	4.39	6.48	7.57	11.0	16.4	24.1	35.6
High	0.26	0.38	0.57	0.84	1.24	1.67	2.43	3.61	5.32	7.86	9.17	13.4	19.9	29.3	43.4*

Reversing speeds: The speeds in reverse gear are 12% less than the corresponding speed in forward gear.

* = The speed is electronically restricted to 40 km/h; subject to tire size, reduction to engine speed as far as n = 1850 rpm (economy mode).

Agroplus V

- a Wheel base
- b Center of axle to end of lower link
- c Length with lower links
- d1 Height without A/C system
- d2 Height with A/C system
- d3 Height to platform with rollbar
- d4 Axle center up to top edge of cab
Cab with/without A/C system
- g Track width at front
- h Track width at rear

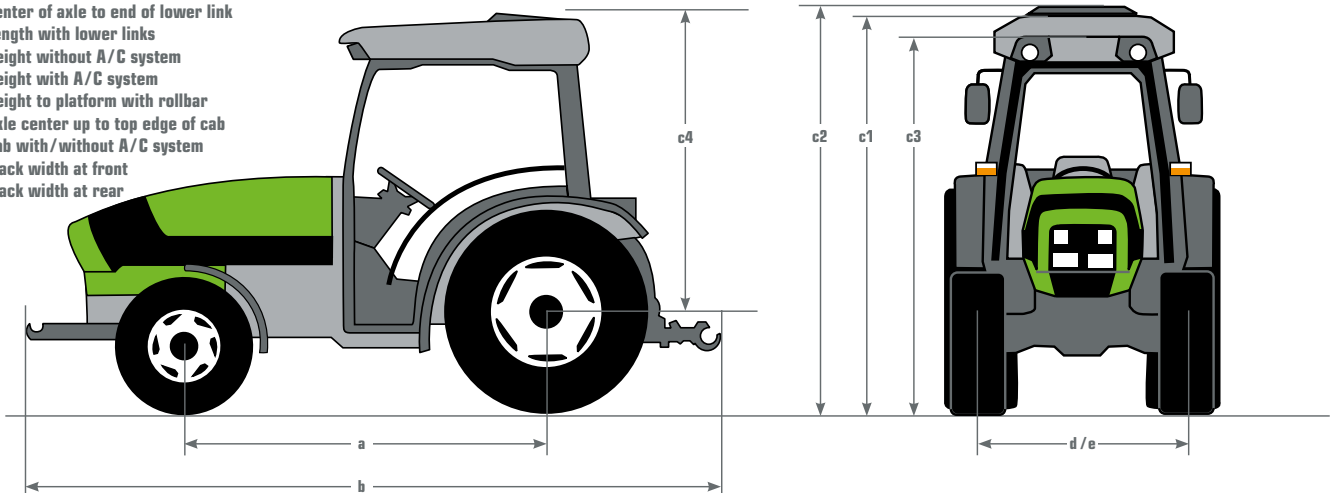


Type (four-wheel tractors)		Agroplus V 320	Agroplus V 410	Agroplus V 420
Dimensions in mm (with rear tyres)		380/70 R 20	380/70 R 20	380/70 R 20
a	Wheel base	mm	2,027	2,157
b	Center of axle to end of lower link	mm	3,007	3,137
c	Length with lower links front and rear	mm	4,247	4,377
d1	Height without A/C system	mm		2,200
d2	Height with A/C system	mm		2,240
d3	Height to platform with rollbar	mm	2,232	2,362
d4	Axle center up to top edge of cab without/with A/C system	mm		1,695/1,735
g	Track width at front	mm		920 bis 1,040
h	Track width at rear	mm		856 bis 1,280
	Ground clearance beneath differential front axle (240/70 R 16)	mm		240
Weight in kg		Platform (P)/Cab (C)		
Unladen weight				
Front axle	P/C (kg)	1,030/1,080		1.100/1.150
Rear axle	P/C (kg)	1,310/1,410		1.380/1.480
Total unladen weight	P/C (kg)	2,340/2,490		2.480/2.630
Permissible weights				
Front axle	P/C (kg)	770/720		700/650
Rear axle	P/C (kg)	1,690/1,590		1,620/1,520
Total	P/C (kg)	2,260/2,110		2,120/1,970
Permissible laden weight				
Front axle (max. perm. axle load)	P/C (kg)		1,800	
Rear axle (max. perm. axle load)	P/C (kg)		3,000	
Total	P/C (kg)		4,600	
Flange dimensions				
Front axle ¹	mm		1,010 oder 1,124	
Screws x diameter of hole	mm		6x215	
Hub cut-out D/Screw holes D	mm		185/15	
Rear axle	mm		854	
Screws x diameter of hole	mm		8x152.4	
Hub cut-out D/Screw holes D	mm		110/20.5	

¹ Flange dimensions at the front are dependent on the tyres used

Agroplus S

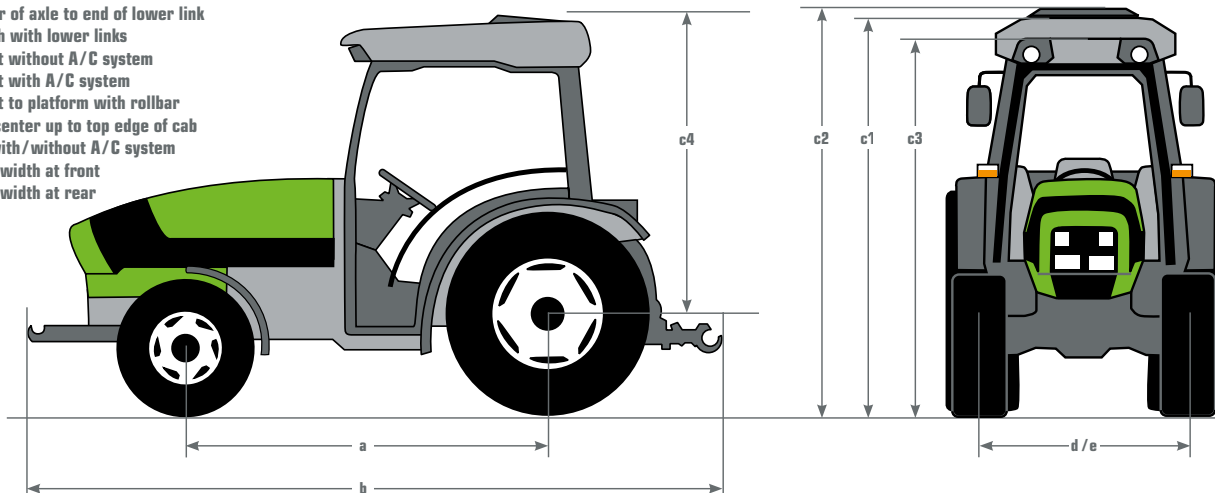
- a Wheel base
- b Center of axle to end of lower link
- c Length with lower links
- d1 Height without A/C system
- d2 Height with A/C system
- d3 Height to platform with rollbar
- d4 Axle center up to top edge of cab
Cab with/without A/C system
- g Track width at front
- h Track width at rear



Type (four-wheel tractors)		Agroplus S 320	Agroplus S 410	Agroplus S 420
Dimensions in mm (with rear tyres)		360/70 R 24	380/70 R 24	380/70 R 24
a	Wheel base	mm	2,027	2,157
b	Center of axle to end of lower link	mm	3,007	3,137
c	Length with lower links front and rear	mm	4,247	4,377
d1	Height without A/C system	mm	2,240	2,260
d2	Height with A/C system	mm	2,280	2,300
d3	Height to platform with rollbar	mm	2,232	2,362
d4	Axle center up to top edge of cab without/with A/C system	mm	1,695/1,735	
g	Track width at front	mm	1,034 bis 1,284	
h	Track width at rear	mm	926 bis 1,290	
	Ground clearance beneath differential front axle (240/70 R 16)	mm	240	255
Weight in kg		Platform (P)/Cab (C)		
Unladen weight				
Front axle	P/C (kg)	1,030/1,080	1,100/1,150	
Rear axle	P/C (kg)	1,310/1,410	1,380/1,480	
Total unladen weight	P/C (kg)	2,340/2,490	2,480/2,630	
Permissible weights				
Front axle	P/C (kg)	770/720	700/650	
Rear axle	P/C (kg)	1,690/1,590	1,620/1,520	
Total	P/C (kg)	2,260/2,110	2,120/1,970	
Permissible laden weight				
Front axle (max. perm. axle load)	P/C (kg)		1,800	
Rear axle (max. perm. axle load)	P/C (kg)		3,000	
Total	P/C (kg)		4,600	
Flange dimensions				
Front axle	mm	1,124		
Screws x diameter of hole	mm	6x215		
Hub cut-out D/Screw holes D	mm	185/15		
Rear axle	mm	1,114		
Screws x diameter of hole	mm	8x152.4		
Hub cut-out D/Screw holes D	mm	110/20.5		

Agroplus F

- a Wheel base
- b Center of axle to end of lower link
- c Length with lower links
- d1 Height without A/C system
- d2 Height with A/C system
- d3 Height to platform with rollbar
- d4 Axle center up to top edge of cab
Cab with/without A/C system
- g Track width at front
- h Track width at rear



Type (four-wheel tractors)		Agroplus F 320	Agroplus F 410	Agroplus F 420
Dimensions in mm (with rear tyres)		360/70 R 24	380/70 R 24	380/70 R 24
a Wheel base	mm	1,990		2,120
b Center of axle to end of lower link	mm	3,040		3,170
c Length with lower links front and rear	mm	4,315		4,445
d1 Height without A/C system	mm	2,255		2,280
d2 Height with A/C system	mm	2,295		2,320
d3 Height to platform with rollbar	mm	2,255		2,400
d4 Axle center up to top edge of cab without/with A/C system	mm		1,710/1,750	
g Track width at front	mm		1,120 bis 1,320	
h Track width at rear	mm		1,050 bis 1,420	
Ground clearance beneath differential front axle (240/70 R 16)	mm		238	
Weight in kg		Platform (P)/Cab (C)		
Unladen weight				
Front axle	P/C (kg)	1,130/1,220		1,200/1,250
Rear axle	P/C (kg)	1,370/1,500		1,450/1,620
Total unladen weight	P/C (kg)	2,500/2,720		2,650/2,870
Permissible weights				
Front axle	P/C (kg)	870/780		800/750
Rear axle	P/C (kg)	1,730/1,600		1,650/1,480
Total	P/C (kg)	2,500/2,280		2,350/2,130
Permissible laden weight				
Front axle (max. perm. axle load)	P/C (kg)		2,000	
Rear axle (max. perm. axle load)	P/C (kg)		3,100	
Total	P/C (kg)		5,000	
Flange dimensions				
Front axle	mm		1,296	
Screws x diameter of hole	mm		6x120	
Hub cut-out D/Screw holes D	mm		80/20	
Rear axle	mm		1,221	
Screws x diameter of hole	mm		8x152.4	
Hub cut-out D/Screw holes D	mm		110/20.5	

Type	320			410			420			
	V	S	F	V	S	F	V	S	F	
Front PTO (upon request)										
Clutch	Oil-immersed multi-disk clutch									
Actuation	Electrohydraulic									
Engine speed	rpm	1,000 (clockwise)								
PTO profile	1 ³ / ₈ " 6 spline									
Rear PTO										
Clutch	Oil-immersed multi-disk clutch									
Actuation	Electrohydraulic									
Engine speed	rpm	540/540 E/1,000 without optional position PTO								
Speed (upon request)	rpm	540/540 E with position PTO								
PTO profile	1 ³ / ₈ " 6 spline									
Type	V tractors ¹			S tractors			F tractors			
	320/410/420			320/410/420			320/410/420			
Tyres, wheels, track widths										
Tire combination		Minimum outside widths in mm ²								
4WD factor		i = 1.4944		i = 1.5822			i = 1.4797			
Front axle	Rear axle									
240/70 R 16	380/70 R 20	1,290 (320/410/420 standard)								
6.50-16	11.2 R 24 (280/85 R 24)	1,110 (upon request)*								
260/70 R 16	320/70 R 24	1,170 (upon request)*								
240/70 R 16	320/70 R 24	1,170 (upon request)*								
280/60-15.5 Twin 421	360/60-24 Twin 421	1,270 (upon request)*								
240/70 R 16	360/70 R 24				1,300 (320 standard)*					
260/70 R 16	380/70 R 24				1,360 (410/420 standard)*					
280/70 R 16	420/70 R 24				1,440 (upon request)*					
280/70 R 18	380/70 R 28				1,360 (upon request)*					
280/70 R 18	420/70 R 28				1,440 (upon request)*					
7.50 R 16	12.4 R 28				1,220 (upon request)*					
6.50-16	12.4 R 24 (320/85 R 24)				1,220 (upon request)*					
280/70 R 16	360/70 R 24							1,510 (320 standard)*		
240/70 R 16	380/70 R 20							1,520 (upon request)*		
280/70 R 16	380/70 R 24							1,520 (410/420 standard)*		
280/70 R 18	420/70 R 24							1,630 (upon request)*		
280/70 R 20	16.9 R 24 (420/85 R 24)							1,720 (upon request)*		
300/70 R 20	420/70 R 28							1,630 (upon request)*		
9.5 R 20	14.9 R 28 (380/85 R 28)							1,560 (upon request)*		
280/70 R 20	380/70 R 28							1550 (upon request)*		
Generally permissible track widths										
Front axle		920 bis 1,040 mm			1,034 bis 1,284 mm			1,120 bis 1,320 mm		
Rear axle		856 bis 1,280 mm			926 bis 1,290 mm			1,050 bis 1,420 mm		

¹ Driven front axles: Narrow or wide front axle depending on tyres

² Outside width: May vary depending on the make of tire

* Rear axle wheels: Fitted with a 25 mm track adapter in some cases

Available standard tire combinations are given on the current valid price lists. Supply ex works is possible, or in accordance with current valid price lists.

For exact specifications please consult your local Deutz-Fahr dealer. The above specifications refer to tractors with all available equipment. For standard equipment and options, refer to the current price list and ask your local dealer for details.



P +64 (7) 902 2200 W www.deutztractors.co.nz
86 Thames Street, Morrinsville 3300, New Zealand



For exact specifications please consult your local Deutz-Fahr dealer. The above specifications refer to tractors with all available equipment. For standard equipment and options, refer to the current price list and ask your local dealer for details.